



## guarantee.

The Bluelab® Peripod™ Replacement Cassette comes with a 6 month limited written guarantee. Proof of purchase required.



## connect.

If you need assistance or technical advice - we're here to help you.

**North America Phone:** +1 909 599 1940

**New Zealand Phone:** +64 7 578 0849

**Email:** support@bluelab.com

**Online:** facebook.com/getbluelab

**Manuals:** bluelab.com

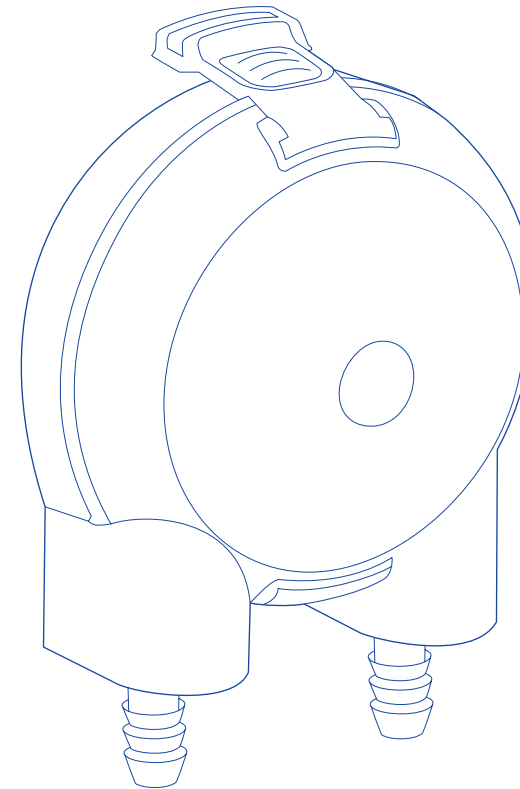


## location.

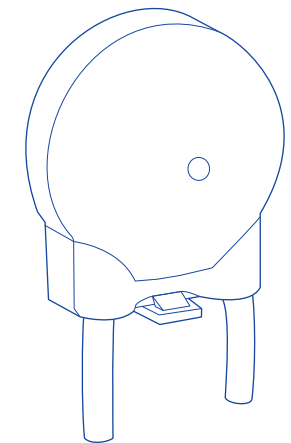
**Bluelab® Corporation Limited**  
8 Whiore Avenue, Tauriko Business Estate  
Tauranga 3110, New Zealand



Instruction Manual English PERICAS\_V01\_28022017  
© Copyright 2016, all rights reserved, Bluelab® Corporation Limited



Bluelab® Cassette for  
Peristaltic Pump L



Bluelab® Cassette for  
Peristaltic Pump M



## 1.1 Overview

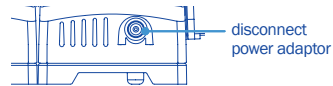
- Peristaltic pump tubing has a finite life and should be replaced periodically to maintain stable performance.
- Flush pumps and tubing with water when product is going to be unused for more than one month.
- After storage for long periods, initial set up procedures should be carried out when re-installed.
- If you notice any sudden or significant changes in flow rate, see the troubleshooting guide in section 5.3 of the Bluelab® Peripod™ Manual, and check for signs of damage or wear.

### WARNING

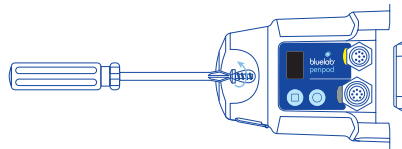
Always flush tubing and pumps with clean water BEFORE performing any maintenance on pumps or tubing. This ensures that all dangerous chemicals are flushed out of the tubing and pump, reducing accidental harm or injury.

## 1.2 Changing the cassette

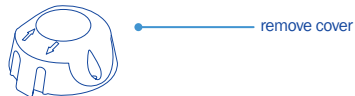
**BEFORE** changing the pump cassette disconnect power from the Bluelab® Peripod™ and remove dosing tubes.



- 1 Remove screws from each side of pump cover using a Phillips head screwdriver. (M Versions: 2 screws, L Versions: 4 screws.)



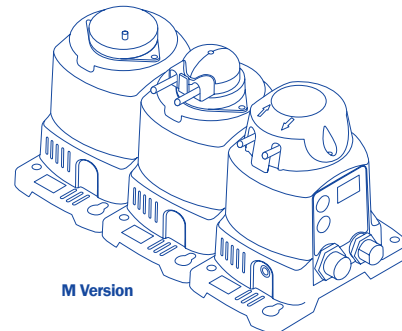
- 2 Remove transparent cover.



- 3 Remove cassette.

**For M versions:** rotate the clear plastic cover anticlockwise about 30°.

**For L versions:** squeeze top and bottom lever, pull away from the housing.

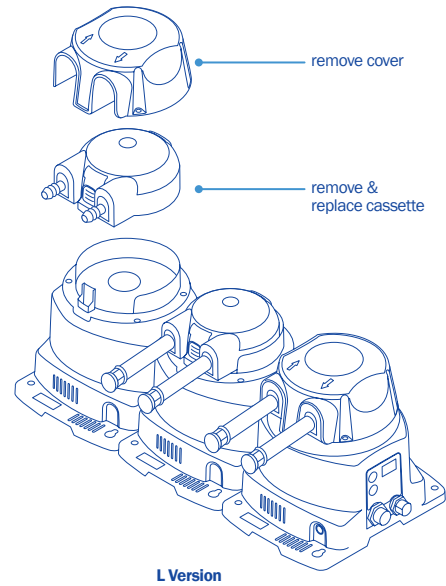


## 1.2 Changing the cassette continued

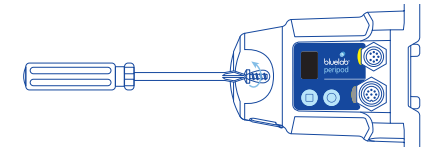
- 4 Replace cassette.

**For M versions:** ensure that the new cassette assembly is locked into place by rotating clockwise until a "click" is felt. The tubes should be in vertical alignment.

**For L versions:** squeeze top and bottom levers and push new cassette into the housing.



- 5 Replace the cover and screws, then reconnect dosing tubes.



- 6 Connect power. Test pump operation, prime pump and tubes then calibrate the unit.

