



## guarantee.

The Bluelab® Peripod™ Replacement Peristaltic Pump comes with a 6 month limited written guarantee. Proof of purchase required.



## connect.

If you need assistance or technical advice - we're here to help you.

**North America Phone:** +1 909 599 1940

**New Zealand Phone:** +64 7 578 0849

**Email:** [support@bluelab.com](mailto:support@bluelab.com)

**Online:** [facebook.com/getbluelab](https://www.facebook.com/getbluelab)

**Manuals:** [bluelab.com](http://bluelab.com)

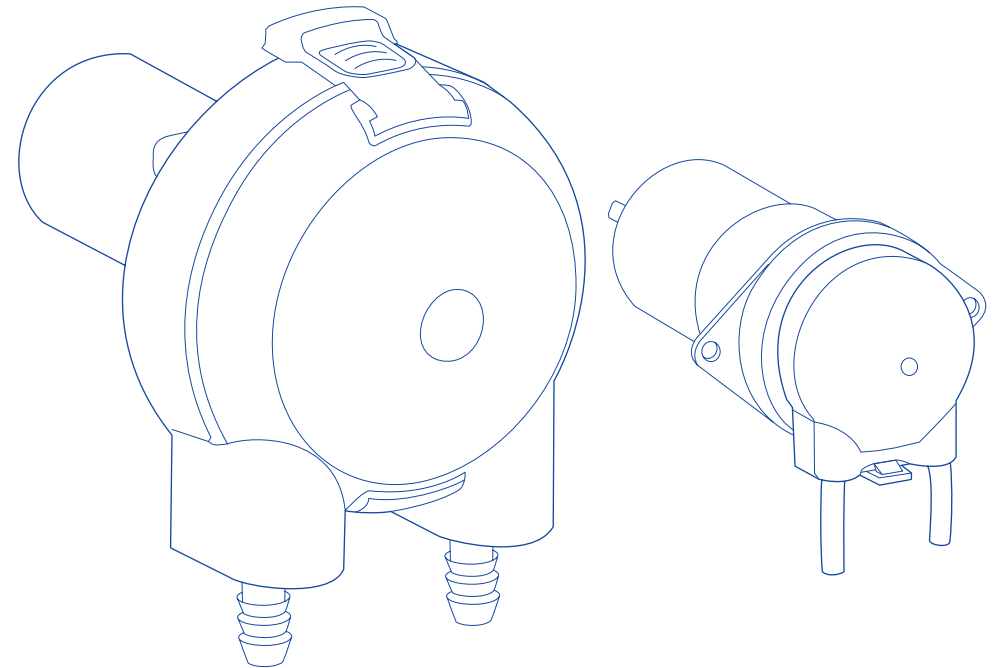


## location.

**Bluelab® Corporation Limited**  
8 Whiore Avenue, Tauriko Business Estate  
Tauranga 3110, New Zealand



Instruction Manual English PERIPUMP\_V01\_28022017  
© Copyright 2016, all rights reserved, Bluelab® Corporation Limited



Bluelab® Peristaltic  
Pump L

Bluelab® Peristaltic  
Pump M



## 1.1 Overview

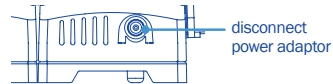
- Peristaltic pump tubing has a finite life and should be replaced periodically to maintain stable performance.
- Flush pumps and tubing with water when product is going to be unused for more than one month.
- After storage for long periods, initial set up procedures should be carried out when re-installed.
- If you notice any sudden or significant changes in flow rate, see the troubleshooting guide in section 5.3 of the **Bluelab® Peripod™** Manual, and check for signs of damage or wear.

### WARNING

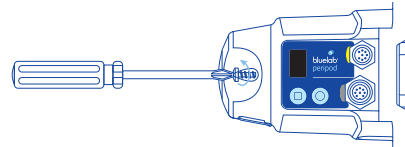
Always flush tubing and pumps with clean water BEFORE performing any maintenance on pumps or tubing. This ensures that all dangerous chemicals are flushed out of the tubing and pump, reducing accidental harm or injury.

## 1.2 Replacing the peristaltic pump

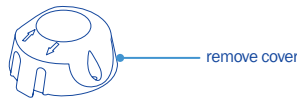
**BEFORE** changing pump motors - disconnect power from the **Bluelab® Peripod™** and remove dosing tubes from the peristaltic pump.



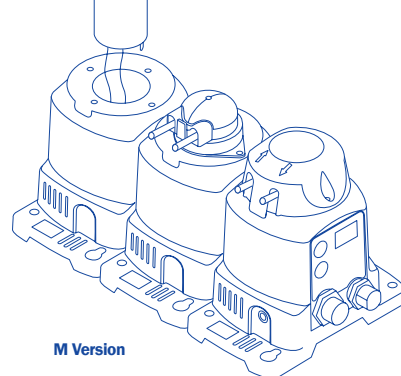
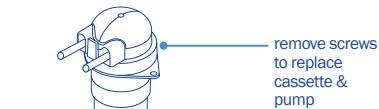
- 1 Remove screws from each side of pump cover using a Phillips head screwdriver. (**M Versions:** 2 screws, **L Versions:** 4 screws.)



- 2 Remove transparent cover.

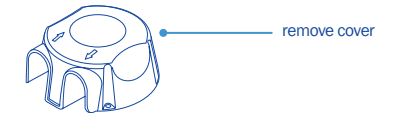


- 3 **For L Versions:** Un-clip and remove the cassette, then remove four screws from casing.



## 1.2 Replacing the peristaltic pump continued

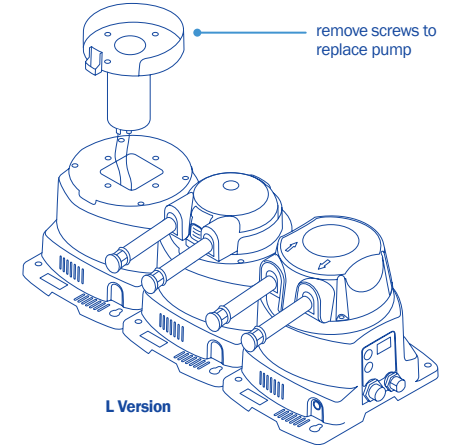
- 4 Remove pump by gently lifting unit out. Be careful not to stress power cable (black/red leads). Unplug cable from connector at back of motor.



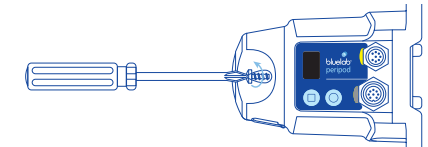
- 5 Connect plug to connector on new motor. Ensure plug fully inserted into socket. It will only fit one way.



- 6 **M Versions:** Replace pump into case. **L Versions:** Replace pump into case. Screw pump to case. Clip cassette back onto pump.



- 7 Replace the cover and screws, then reconnect dosing tubes.



- 8 Connect power. Test pump operation, prime pump and tubes then calibrate the unit.

